

Tongdy TGP-THP-210 Wall Mounted Temperature Humidity Transmitter LCD Display (RS485)



SKU: TONTGPTHP210
Manufacture warranty period: 12 months
Country of Origin: China

Features

- Designed for detection and output temperature and relative humidity with high accuracy
- External sensors design let the measurements more accurate, no influence from components heating
- Combined both humidity and temperature sensors seamlessly with the digital auto compensation
- Outside sensing probe with more accuracy and convenient usage
- Special white backlit LCD can be selected with displaying both actual temperature and humidity
- Smart structure for easy mounting and disassembly
- Attractive appearance for different application places
- Temperature and humidity fully calibration
- Very easy mounting and maintenance, two lengths selectable for the sensor probe
- Provide two linear analog outputs for humidity and temperature measurements
- Modbus RS485 communication
- CE-Approval

Typical Applications

- High end HVAC systems
- Ventilation systems
- Clean rooms
- Green houses
- Detection and display temperature and RH measurements
- Modbus communication systems

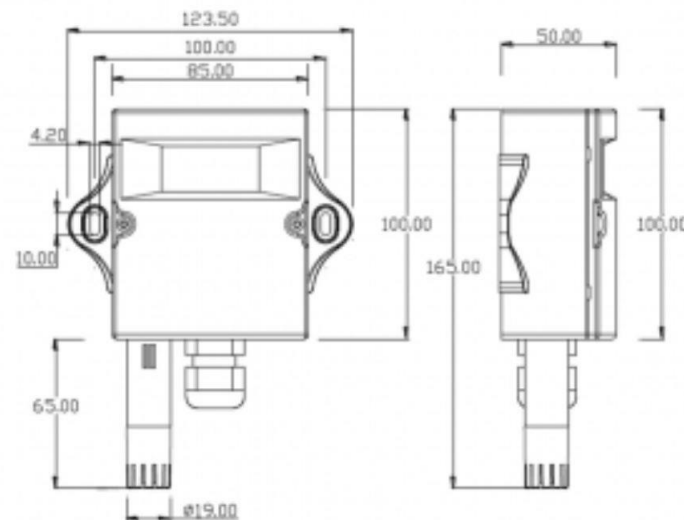


Specifications

- Temperature
 - Accuracy: $\pm 0.4^{\circ}\text{C}$ @ 20°C
 - Range: 0°C ~ 50°C
 - Display resolution: 0.1°C
 - Stability: $\pm 0.1^{\circ}\text{C}$
- Humidity:
 - Accuracy: $\pm 3\% \text{RH}$ (20%-80%RH)
 - Range: 0 -100%RH
 - Display resolution: $0.1\% \text{RH}$
 - Stability: $\pm 1\% \text{RH}$ per year
- Storage environment: 10°C - 50°C , 20%RH~60%RH
- Output: Modbus RS485 communication
- Power supply: 24VDC/24VAC $\pm 20\%$
- Power cost: $\leq 1.6\text{W}$
- Permissible load: Max. 500ohm (4~20mA)
- Connection: Screw terminals/ wire diameter: 1.5mm²
- Housing: PC/ABS fireproof material
- Protection class: IP40 class
- Dimension: 85(W) x 100(H) x 50(D)mm + 65mm (extend probe) x diameter 19.0mm
- Net weight: 280g

Package inclusive:

- TH Transmitter
- User Manual



Wiring Diagrams

